

Trouve l'aire
du partie
rouge

$$A_{\square} = bh$$

$$= (8,5)(8,5)$$

$$72,25 \text{ cm}^2$$

$$A_{\circ} = \pi r^2$$

$$= 3,14 (2,5 \text{ cm})^2$$

$$= 19,62 \text{ cm}^2$$

$$\begin{array}{r} 72,25 \text{ cm}^2 \\ - 19,62 \text{ cm}^2 \\ \hline 52,63 \text{ cm}^2 \end{array}$$



$$A = 35 \text{ cm}^2$$

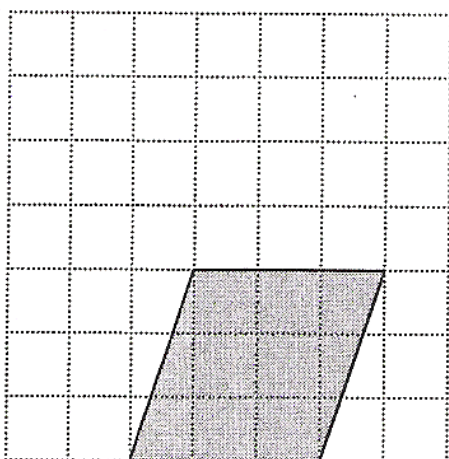
$$A_{\square} = bh$$
$$\frac{35 \text{ cm}^2}{7 \text{ cm}} = \frac{b \cdot 7 \text{ cm}}{7 \text{ cm}}$$

$$\frac{35 \text{ cm}^2}{7 \text{ cm}} = b$$

$$\boxed{5 \text{ cm}}$$

L'aire des parallélogrammes :

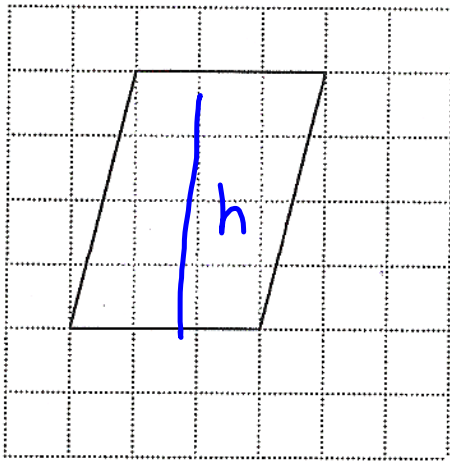
1) A= _____



2

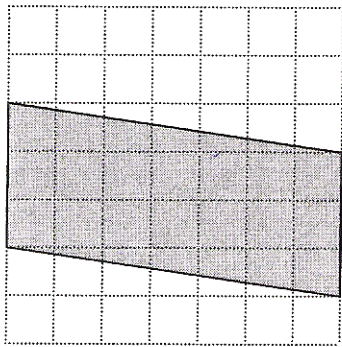
$$\begin{aligned} A_{\square} &= bh \\ &= (3\text{cm})(3\text{cm}) \\ &= 9\text{cm}^2 \end{aligned}$$

2) A= _____

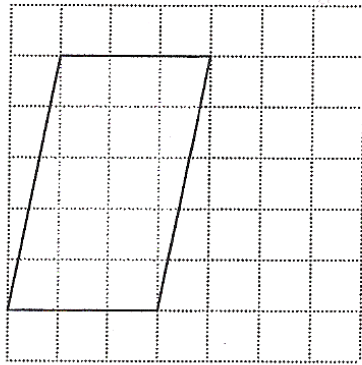


$$\begin{aligned} A_{\square} &= b h \\ &= (3\text{ cm})(4\text{ cm}) \\ &= 12\text{ cm}^2 \end{aligned}$$

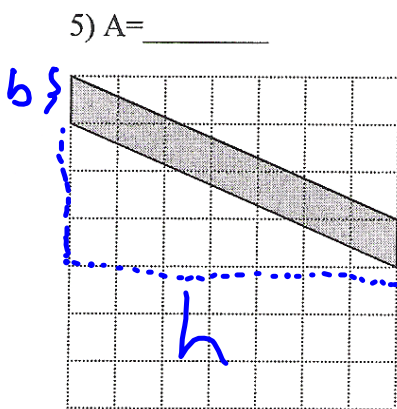
3) A= _____



4) A= _____

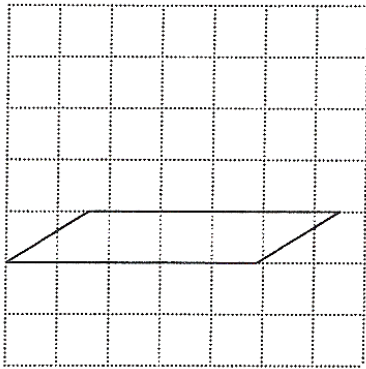


$$\begin{aligned} A_{\square} &= bh \\ &= (3\text{cm})(5\text{cm}) \\ &= 15\text{cm} \end{aligned}$$

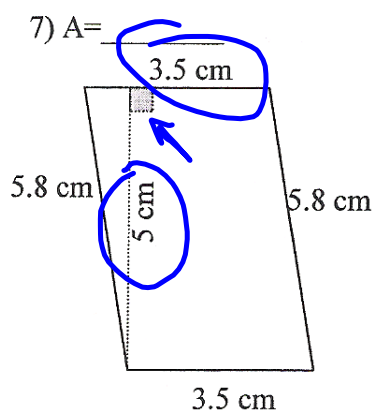


$$\begin{aligned}A_{\square} &= bh \\ &= (1 \text{ cm})(7 \text{ cm}) \\ &= 7 \text{ cm}^2\end{aligned}$$

6) A= _____

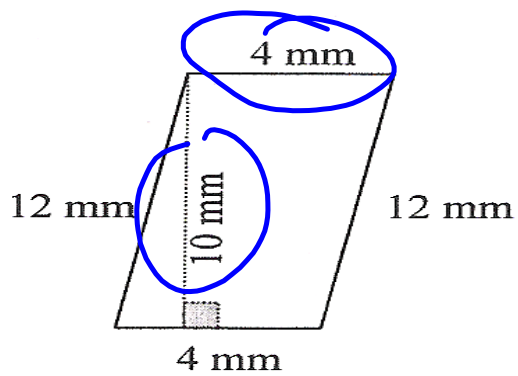


$$\begin{aligned} A_{\square} &= bh \\ &= (5\text{cm})(1\text{cm}) \\ &= 5\text{cm}^2 \end{aligned}$$



$$\begin{aligned} A &= b h \\ &= 3,5 (5) \\ &17,5 \text{ cm}^2 \end{aligned}$$

8) A= _____



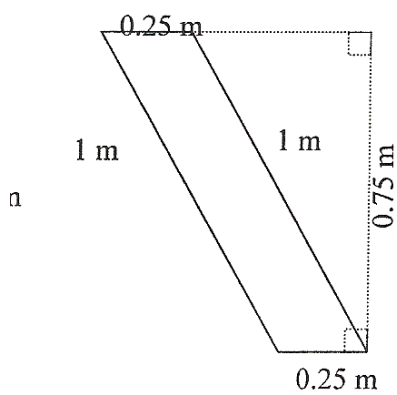
$$A = bh$$

$$= 4 \times 10$$

mm mm

$$= 40 \text{ mm}^2$$

9) A= _____

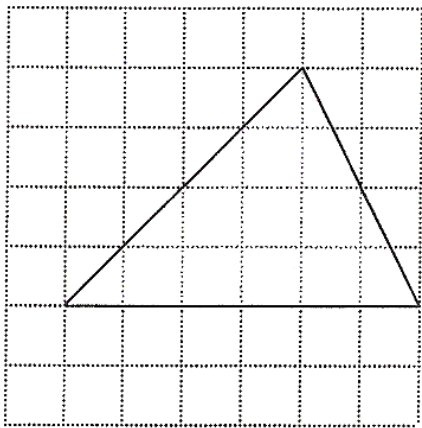


$$A = bh$$

$$= 0,25\text{m} \times 0,75\text{m}$$

$$= 0,1875\text{m}^2$$

1) A= _____

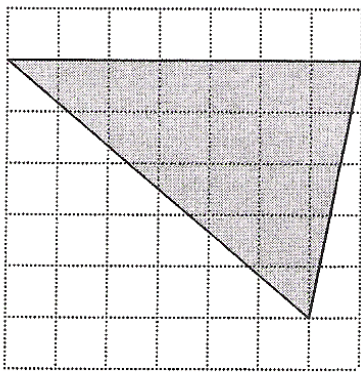


$$A_{\Delta} = \frac{bh}{2}$$

$$= \frac{(6)(4)}{2}$$

$$= \frac{24}{2} = 12$$

2) A=_____

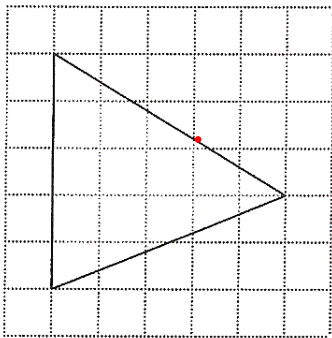


$$A_{\Delta} = \frac{bh}{2}$$

$$\frac{7(5)}{2}$$

$$17,5$$

3) A= _____

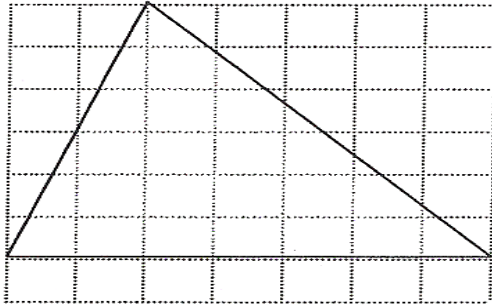


$$\frac{bh}{2}$$

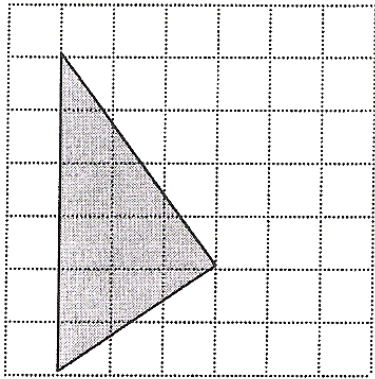
$$\frac{5(5)}{2}$$

$$12,5$$

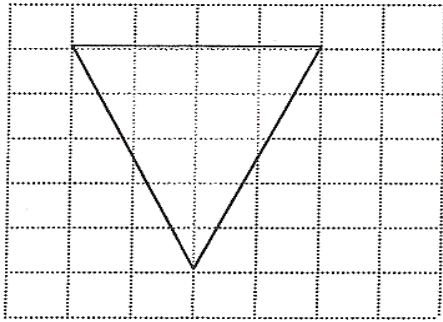
4) $A =$ _____



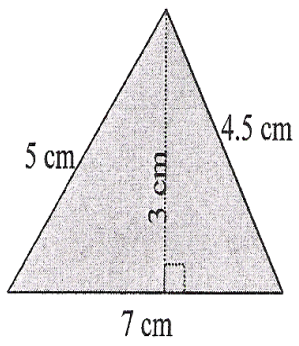
5) A= _____



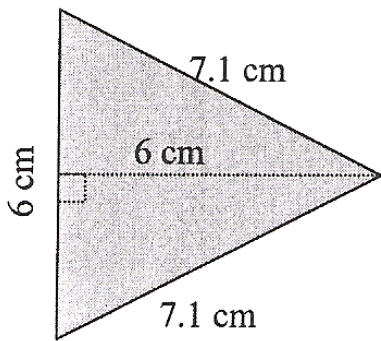
6) $A =$ _____



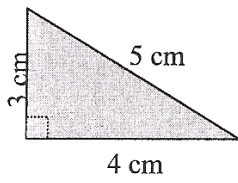
7) $A =$ _____



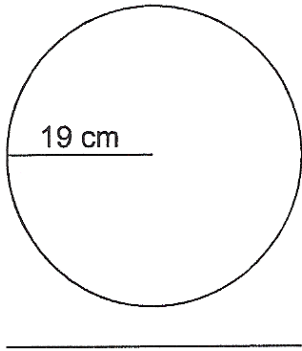
8) A= _____



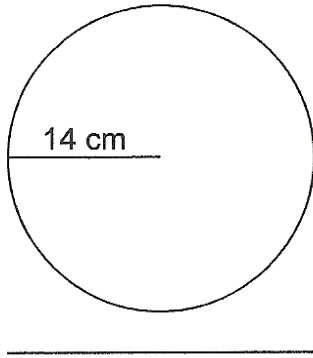
9) A= _____



1.



2.



3.

